

## WorldSID Mechanical Requirements and Drawing Lists

General specifications for WorldSID fabrication include:

- The head centre of gravity shall be located as indicated in Figure 1.
- The materials used in the construction of all components shall not contain lead or lead alloys.
- The flesh material and/or external surface characteristics shall enable positive attachment of adhesive targets.

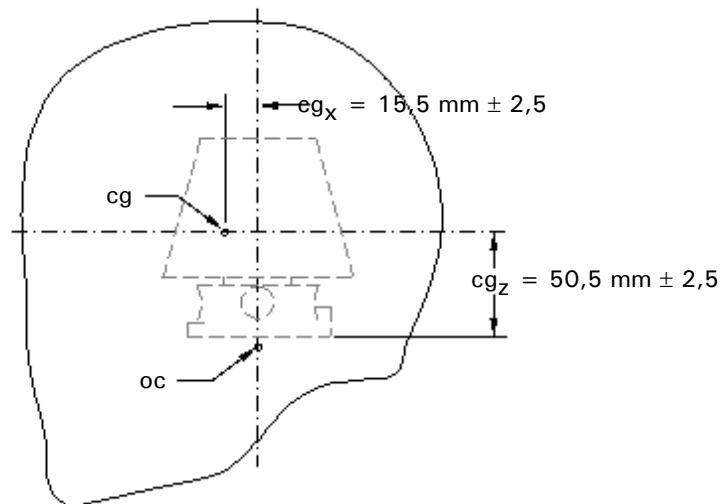


Figure 1 — Head centre of gravity location

WorldSID assembly drawings and mass specifications are listed in Table 1.

**Table 1 – Assembly drawing and mass specifications**

Body Region	Drawing	Mass (kg)
Head	W50-10000.pdf	4,22 ± 0,05
Neck	W50-20000.pdf	3,23 ± 0,15
Thorax/abdomen/shoulder	W50-30000.pdf	20,55 ± 1,0
Full arms	W50-61000.pdf (left)	3,72 ± 0,15
	W50-61001.pdf (right)	3,72 ± 0,15
Half arms	W50-62000.pdf	1,77 ± 0,09
Lumbar spine and pelvis	W50-40000.pdf	17,75 ± 0,90
Upper legs	W50-51000.pdf (right)	6,71 ± 0,30
	W50-51050.pdf (left)	6,71 ± 0,30
Lower leg, ankle, and foot	W50-54054.pdf (right)	5,09 ± 0,13
	W50-5456.pdf (left)	5,09 ± 0,13
Clothing	W50-80100.pdf	1,85 ± 0,09
Total dummy with half arms		74,88 ± 3,74

WorldSID drawings are listed in Table 2 and fasteners are listed in Table 3 for the convenience of users. The drawings are available electronically.

**Table 2 – WorldSID drawing list**

Drawing number	Description	Electronic file format	
		PDF	STP
W50-00000	WorldSID ATD	X	
W50-10000	Head assembly, tested and certified	X	
W50-10007	Head core	X	
W50-10010	Rotational accelerometer replacement, Endevco 7302BM4	X	
W50-10011	Tilt sensor mass replacement	X	
W50-14014	Head, moulded tested and certified	X	X
W50-20000	Neck assembly	X	
W50-20002	Neck/head/torso interface plate	X	

Drawing number	Description	Electronic file format	
		PDF	STP
W50-20006	Neck buffer assembly	X	
W50-20007	Screw, half spherical	X	
W50-20009	Lower neck bracket	X	
W50-20010	Upper neck bracket	X	
W50-20011	Nut, neck bracket	X	
W50-20016	Flexion extension buffer	X	
W50-20018	Shortened 6 mm hex key	X	
W50-21001	Neck assembly tested and certified	X	
W50-22003	Neck, moulded	X	X
W50-24013	Neck shroud assembly	X	
W50-24014	Neck shroud ring	X	X
W50-24015	Neck shroud	X	
W50-30000	Torso-shoulder thorax abdomen, WorldSID	X	
W50-31000	Spine box assembly	X	
W50-31010	Upper bracket weldment, spine box, WorldSID	X	
W50-31011	Shoulder mounting plate	X	
W50-31012	Middle plate	X	
W50-31013	Neck bracket mounting plate	X	
W50-31020_1	Side plate, left Worldsid	X	
W50-31020_2	Side plate, left Worldsid	X	
W50-31030_1	Side plate, right Worldsid	X	
W50-31030_2	Side plate, right Worldsid	X	
W50-31041	Spacer, WorldSID	X	
W50-31042	Mounting bracket #1	X	
W50-31043	Mounting bracket #2	X	
W50-31045	Cover plate spine box	X	
W50-31050	Ball joint assembly, IRTRACC	X	
W50-31051	Ball-shaft assembly	X	
W50-31053	Ball-shaft, IRTRACC	X	
W50-31054	Ball socket, IRTRACC	X	
W50-31055	Ball retainer, IRTRACC	X	
W50-31060	IR-TRACC mass replacement	X	

Drawing number	Description	Electronic file format	
		PDF	STP
W50-32000	Rib, shoulder	X	
W50-32001	Rib assembly, shoulder	X	
W50-32010	Rib doubler, shoulder	X	
W50-32110	Thorax rib 1, WorldSID	X	
W50-32111	Thorax rib assembly 1 WorldSID	X	
W50-32130	Thorax rib 2 and 3 abdominal ribs WorldSID	X	
W50-32131	Thorax rib assembly, 2 and 3 WorldSID	X	
W50-32150	Thorax rib assembly, inner band, WorldSID	X	
W50-32151	Rib, damping	X	
W50-32152	Thorax rib bent, WorldSID	X	
W50-32155	Abdomen rib assembly, inner band, WorldSID	X	
W50-32156	Rib, damping	X	
W50-32160	Shoulder rib assembly, inner band, WorldSID	X	
W50-32161	Rib, damping	X	
W50-32162	Shoulder rib bent, WorldSID	X	
W50-32171	Shoulder rib mounting bracket, struck side, WorldSID	X	
W50-32172	Thorax and abdominal rib accelerometer mounting bracket, WorldSID	X	
W50-32173	Thorax and abdominal rib clamping bracket, WorldSID	X	
W50-32175	Shoulder rib sternum mounting strip, threaded	X	
W50-32176	Thorax and abdominal rib mounting strip, threaded	X	
W50-32177	Shoulder rib sternum mounting strip	X	
W50-32178	Thorax and abdominal rib sternum mounting strip	X	
W50-32179	Screw, rib IRTRACC mount	X	
W50-32180	Clamp, damping	X	
W50-35021	Rib coupler abdominal, WorldSID	X	X
W50-35022	Sternum, thorax rib	X	X
W50-35023-1	Shoulder pad, left, WorldSID	X	X
W50-35023-2	Shoulder pad, right, WorldSID	X	X
W50-35024	Pad, thorax	X	
W50-37011	Battery mounting bracket	X	
W50-37012	Battery structural replacement	X	

Drawing number	Description	Electronic file format	
		PDF	STP
W50-37022	Backup plate mounting bracket	X	
W50-37023	Angular accelerometer, tilt sensor mount bracket	X	
W50-37024	T12 accelerometer mount, WorldSID	X	
W50-37029	Bracket, rotational accelerometer mount	X	
W50-38000	Battery assembly	X	
W50-38001	Back plate, battery enclosure	X	
W50-38002	Enclosure cover, battery	X	
W50-38004	Foam pad, 3 mm thick	X	
W50-40000	Pelvis assembly	X	
W50-41018	Lumbar spine rubber	X	X
W50-41019	Bushing lumbar	X	
W50-41020	Bushing, lumbar spine, top	X	
W50-41021	Lumbar lower clamping plate	X	
W50-41022	Lumbar upper clamping plate	X	
W50-41026	Lumbar mounting wedge	X	
W50-41030	Weldment lower lumbar mounting bracket	X	
W50-41031	Lower lumbar mounting bracket	X	
W50-41032	Dummy lifting socket	X	
W50-41041	DAS cover	X	
W50-41042	Docking station pelvis	X	
W50-42002	Sacro-iliac load cell backing plate	X	
W50-42005	Hip joint socket	X	
W50-42007	Inner ring hip joint	X	
W50-42008	Hip socket retainer	X	
W50-42010	Pelvis bone, left hand	X	X
W50-42011	Pelvis bone, right hand	X	X
W50-42012	Insert, iliac wing	X	
W50-42016	Sacro-iliac load cell interface left hand	X	
W50-42017	Sacro-iliac load cell interface right hand	X	
W50-42019	Pelvis flesh	X	X
W50-42030	Instrumentation bracket pelvis	X	
W50-42031	Instrumentation cover plate, pelvis	X	

Drawing number	Description	Electronic file format	
		PDF	STP
W50-42510	Pubic buffer moulded	X	
W50-42516	End plate medial	X	
W50-42517	End plate lateral	X	
W50-42521	C-wrench for hip joint	X	
W50-51000	Upper leg assembly, right	X	
W50-51001	Modification of small spanner wrench (25mm-28mm)	X	
W50-51002	Unmodified large spanner wrench (40mm-42mm)	X	
W50-51003	Modified 4mm hexagon key wrench	X	
W50-51004	Modified 22mm open end wrench	X	
W50-51017	Trochanter	X	
W50-51022	Trochanter tube assembly, right	X	
W50-51023	Trochanter assembly left	X	
W50-51034	Femoral neck assembly	X	
W50-51035	Femoral neck	X	
W50-51038	Femoral ball	X	
W50-51050	Upper leg assembly, left	X	
W50-51052	G5 DAS leg docking station	X	
W50-51053	G5 DAS structural replacement assembly	X	
W50-51058	Upper leg flesh - right - velcro application	X	X
W50-51059	Upper leg flesh - left - velcro application	X	X
W50-51060	Leg structural replacement assembly	X	
W50-51067	Leg extension tube assembly	X	
W50-51068	Leg extension tube	X	
W50-52001sheet1	Knee assembly right	X	
W50-52001sheet2	Knee assembly right part list	X	
W50-52002	Knee bone assembly	X	
W50-52004	Knee cover	X	
W50-52005sheet1	Knee clevis, right	X	
W50-52005sheet2	Knee clevis, right	X	
W50-52006	Knee clevis stop	X	
W50-52007	Knee pivot shaft	X	
W50-52008	Knee pivot shaft assembly	X	

Drawing number	Description	Electronic file format	
		PDF	STP
W50-52009	Knee clevis assembly, right	X	
W50-52010	Knee pad moulded assembly	X	
W50-52011	Side plate	X	
W50-52015	Knee contact load cell structural replacement assembly	X	
W50-52019sheet1	Knee assembly, left	X	
W50-52019sheet2	Knee assembly, left parts list	X	
W50-52020	Knee clevis, left	X	
W50-52021	Knee clevis assembly, left	X	
W50-52024	Knee bone	X	
W50-52063	Knee washer	X	
W50-52064	Friction washer assembly	X	
W50-52065	Braking washer	X	
W50-52066	Braking washer backing	X	
W50-53001	Lower leg tube	X	
W50-53002	Lower leg flesh	X	X
W50-53007	Zipper assembly	X	
W50-53008	Vinyl strips	X	
W50-54002	Ankle clevis right and left lower limb	X	
W50-54004	Left flexion centre rotational piece	X	
W50-54005	Ankle joint	X	
W50-54006	Base plate	X	
W50-54008	Thrust washer	X	
W50-54009	Z-pivot pin	X	
W50-54010	Z-axis rotational washer	X	
W50-54012	Potentiometer (optional)	X	
W50-54013	Potentiometer structural replacement	X	
W50-54014	Retainer bracket	X	
W50-54015	Ankle joint cover	X	
W50-54016	X-version bushing	X	
W50-54019	Front bearing cover	X	
W50-54020	Rear bearing cover	X	
W50-54021	X-version compression element	X	

Drawing number	Description	Electronic file format	
		PDF	STP
W50-54022	Dorsiflexion and plantarflexion hard stop	X	
W50-54023	Z-axis nut	X	
W50-54024	Z-axis anti-rattle washer	X	
W50-54031	Z-axis rotation bearing	X	
W50-54033	Right flexion centre rotational piece	X	
W50-54034	Foot sole locator pins	X	
W50-54035	X-version resistive element	X	
W50-54036	Resistive element	X	
W50-54037	Bumper	X	
W50-54038	Orientation block	X	
W50-54041	Z-axis radial limit screw	X	
W50-54042	Front bearing assembly	X	
W50-54043	Rear bearing assembly	X	
W50-54044	X-version assembly	X	
W50-54045	Ankle joint assembly	X	
W50-54046	X-version assembly	X	
W50-54047	Clevis assembly	X	
W50-54048	Left flexion centre assembly	X	
W50-54049	Right flexion centre assembly	X	
W50-54050	Y-version assembly	X	
W50-54051	Z-axis potentiometer assembly (optional)	X	
W50-54052	Y-axis potentiometer assembly (optional)	X	
W50-54053	Lower leg assembly	X	
W50-54054	Ankle assembly	X	
W50-54055	Lower leg assembly, right	X	
W50-54056	Lower leg assembly, left	X	
W50-55003	Sole plate	X	
W50-55004	Left shoe	X	X
W50-55005	Right shoe	X	X
W50-61000	Arm assembly left	X	
W50-61001	Full arm assembly, right	X	
W50-61002	Upper arm, left assembly	X	



Drawing number	Description	Electronic file format	
		PDF	STP
W50-61003	Upper arm assembly, right	X	
W50-61004	Upper arm extension tube assembly	X	
W50-61005	Upper arm z-pivot, left	X	
W50-61006	Upper arm z-pivot assembly, left	X	
W50-61007	IGUS bearing (TFI-1214-08)	X	
W50-61008	Z-stop pin	X	
W50-61010	Upper arm z-stop	X	
W50-61011	Arm tube	X	
W50-61012	Upper arm tube assembly	X	
W50-61013	Elbow shaft	X	
W50-61014	Clamping washer	X	
W50-61016	Compression washer	X	
W50-61017	Elbow stop	X	
W50-61018	Wrist pivot	X	
W50-61019	Wrist washer	X	
W50-61020	Wrist pivot assembly	X	
W50-61021	Hand bone	X	
W50-61022	Spring washer	X	
W50-61023	Elbow clevis	X	
W50-61024	Elbow clevis assembly	X	
W50-61025	Lower arm tube	X	
W50-61026	Upper arm extension bone	X	
W50-61027	Elbow potentiometer assembly	X	
W50-61028	Elbow shaft assembly	X	
W50-61029	Elbow clevis assembly	X	
W50-61030	Cable guide	X	
W50-61031	Elbow leg load cell structural replacement body	X	
W50-61032	Wrist clevis	X	
W50-61033	Wrist clevis assembly	X	
W50-61034	Lower arm assembly	X	
W50-61035	Wrist assembly	X	
W50-61036	Lower arm tube assembly	X	

Drawing number	Description	Electronic file format	
		PDF	STP
W50-61037	Hand, moulded assembly left	X	
W50-61038	Bumper	X	
W50-61039	Accelerometer. mount bracket assembly	X	
W50-61040	Accelerometer. mount bracket	X	
W50-61041	Arm leg load cell structural replacement assembly	X	
W50-61042	Modified button head screw	X	
W50-61044	Bumper	X	
W50-61045	Bumper	X	
W50-61046	Bumper, wrist pivot	X	
W50-61047	Modified IGUS bearing	X	
W50-61048	Bumper, hand	X	
W50-61049	Pivot shaft	X	
W50-61050	Pivot washer	X	
W50-61051	Shoulder clevis assembly	X	
W50-61052	Bumper, moulded assembly	X	
W50-61053	Shoulder assembly	X	
W50-61054	Flexion-extension stop assembly	X	
W50-61055	Flexion-extension stop	X	
W50-61056	Stop bumper	X	
W50-61057	Shoulder bumper plate	X	
W50-61058 Sheet 1	Clevis	X	
W50-61058 Sheet 2	Clevis	X	
W50-61059	Shoulder load cell abduction bumper	X	
W50-61060	Friction pad	X	
W50-61062	Elbow ballast for structural replace	X	
W50-61063	7268-C accelerometer structural replacement	X	
W50-61065	Elbow load cell structural replacement assembly	X	
W50-61067	Moulded hand assembly, right	X	X
W50-61068	Moulded hand assembly, left	X	X
W50-61069	Hand, moulded assembly right	X	
W50-61070-x	IGUS bearing general table	X	
W50-61074	Arm tube assembly	X	

Drawing number	Description	Electronic file format	
		PDF	STP
W50-61084	Z-pivot, right	X	
W50-61090	Modified IGUS bearing	X	
W50-61098	Upper arm flesh - right - velcro application	X	X
W50-61099	Upper arm flesh - left - velcro application	X	X
W50-61100	Lower arm flesh velcro application	X	X
W50-61110	Shoulder bumper assembly	X	
W50-61111	Z-pivot assembly, right	X	
W50-61113Sheet1	Shoulder clevis for half arm	X	
W50-61113Sheet2	Shoulder clevis for half arm	X	
W50-61117	Shoulder clevis assembly	X	
W50-61123	Structural replacement-elbow potentiometer assembly	X	
W50-62000	Half arm assembly	X	X
W50-62002	Half arm bone	X	
W50-71000	Neck load cell assembly (optional)	X	
W50-71003	Neck load cell structural replacement body	X	
W50-71010	Leg load cell assembly (optional)	X	
W50-71020	Knee contact load cell assembly (optional)	X	
W50-71051	Pubic symphysis load cell	X	
W50-71059	Pubic load cell structural replacement assembly	X	
W50-71060	Elbow load cell assembly (optional)	X	
W50-71070	Arm load cell assembly (optional)	X	
W50-71077	Denton COE tilt sensor adaptor block head	X	
W50-71079	Denton COE tilt sensor adaptor block	X	
W50-71080	Femoral neck load cell assembly (optional)	X	
W50-71090	Shoulder load cell assembly (optional)	X	
W50-71092	Shoulder load cell structural replacement assembly	X	
W50-71094	Denton COE tilt sensor adaptor block head	X	
W50-71097	Bushing	X	
W50-71098	Slug	X	
W50-71120	Lumbar spine load cell assembly (optional)	X	
W50-71122	Lumbar spine load cell structural replacement assembly	X	
W50-71123	Lumbar spine load cell structural replacement body	X	

Drawing number	Description	Electronic file format	
		PDF	STP
W50-71130	Sacro-iliac load cell assembly (optional)	X	
W50-71701	Temperature logger mass replacement	X	
W50-71965	Femoral neck load cell structural replacement assembly	X	
W50-71975	Sacro-iliac load cell structural replacement assembly	X	
W50-74307	G5 DAS structural replacement, body	X	
W50-75001	Interposer replacement	X	
W50-75002	Connector housing replacement	X	
W50-75102_sht1	Linear triax accelerometer cable, head	X	
W50-75102_sht2	Linear triax accelerometer cable, head	X	
W50-75108_sht1	Rotational accelerometer cable, universal	X	
W50-75108_sht2	Rotational accelerometer cable, universal	X	
W50-75201_sht1	Linear triax accelerometer cable, universal	X	
W50-75201_sht2	Linear triax accelerometer cable, universal	X	
W50-75801	Head to thorax	X	
W50-75802	Torso to sacrum	X	
W50-75803	Sacrum to pubic	X	
W50-75804	Sacrum to upper leg	X	
W50-75805	Upper leg to lower leg	X	
W50-75806	Torso to external ground	X	
W50-80100_1	WorldSID suit	X	
W50-80100_2	WorldSID suit	X	
W50-80100_3	WorldSID suit	X	
W50-80100_4	WorldSID suit	X	
W50-82100	Head drop bracket assembly, WorldSID	X	
W50-82101	Base plate	X	
W50-82102	Joint bracket	X	
W50-82103	Head drop bracket	X	
W50-82104	Joint bracket, top	X	
W50-82105	Plate, magnet	X	
W50-82200	WorldSID bench	X	
W50-82245	Teflon® sheet	X	
W50-82246	Teflon® sheet	X	

Drawing number	Description	Electronic file format	
		PDF	STP
W50-82500	H-point tool	X	
W50-82501	H-point tool plate	X	
W50-82502	H-point tool rod	X	
W50-82600	C wrench	X	
W50-82601	C wrench head	X	
W50-82602	C wrench handle	X	
W50-83000	Headform assembly, WorldSID	X	
W50-83101	Centre plate	X	
W50-83102	Disc A, WorldSID headform	X	
W50-83103	Disc B, WorldSID headform	X	
W50-83104	Upper neck interface plate	X	
W50-83201	Lower neck interface plate	X	
W50-83202	Shaft	X	
W50-83205	Shaft coupling	X	
W50-83206	Mounting base	X	
W50-83207	Potentiometer mounting bracket	X	
W50-84100	Lifting bracket assembly, WorldSID	X	
W50-84104	Handle, threaded hole	X	
W50-84106	Handle, threaded rod	X	
W50-84110	Lifting bracket weldment	X	
W50-84111	Upper rod	X	
W50-84112	Lower rod	X	
W50-84113	Middle bar	X	
W50-84114	Wedge	X	
000-2001	T-insert	X	
734-0800	Temperature logger assembly	X	
E_BF	Neck compression tool	X	
E2-20123	Neck intermediate plate	X	
F_D	Potentiometer assembly	X	
F_DA	Potentiometer housing assembly	X	
F_DB	Potentiometer clamp	X	
F_DE	Bearing	X	

Drawing number	Description	Electronic file format	
		PDF	STP
F_DF	Potentiometer housing	X	
f_e	Coupling assembly	X	
f_ea	Coupling	X	
f_eb	Bearing	X	
F_GA	Arrow shaft-pivot assembly A	X	
F_GB	Arrow shaft-pivot assembly B	X	
F_GC	Arrow shaft assembly	X	
F_GD	Pivot, inside assembly	X	
F_GE	Pin, machined	X	
F_GH	Pivot, outside	X	
F_GJ	Pivot, inside	X	
F_GK	Coupling	X	
F_GL	Arrow shaft	X	
F_HC	Space	X	
F_IA	Rotary potentiometer	X	
IF-363	IR-TRACC specification sheet	X	

**Table 3 – WorldSID fasteners**

Description	Fastener number
Ball nose spring plunger MCM# 84895A21	5000257
Ball nose spring plunger MCM# 84895A73	5000256
BHCS M10 X 1.5 X 20mm	5000176
BHCS M2.5 X 10	5000208
BHCS M2.5 X 3	5000248
BHCS M2.5 X 6	5000244
BHCS M3 X 0.5 X 10mm	5000178
BHCS M3 X 0.5 X 6mm	5000171
BHCS M4 X 0.7 X 10mm	5000010
BHCS M4 X 0.7 X 12mm	5000005
BHCS M4 X 0.7 X 6mm	5000179
BHCS M4 X 16	5000153

Description	Fastener number
BHCS M5 X .8 X 25	5000466
BHCS M5 X 0.8 X 10.0	5000003
BHCS M5 X 20	5000210
BHCS M5 X 6	5000214
BHCS M6 X 1 X 18	5000465
BHCS M6 X 1.0 X 16	5000072
BHCS M6 X 22	5000211
BHCS M2.5 X .45 X 5	5000429
BHCS M6 X 1 X 20	5000438
BHCS M8 X 1.25 X 25	5000255
Cable clamp	5000191
Cheese screw M2 X 10	5000220
Cheese screw M2 X 12	5000253
Cheese screw M2 X 16	5000254
Cheese screw M2 X 18	5000221
Cheese screw M3 X 6	5000222
Dowel pin M1.5 X 5mm	5000224
Dowel pin M1.5 X 6mm	5000167
Dowel pin M2 X 5mm	5000225
Dowel pin M3 X 12mm	5000183
Dowel pin M3 X 16mm	5000223
Dowel pin M3 X 6mm	5000385
Dowel pin M3 X 8mm	5000384
Dowel pin M4 X 10	5000414
Dowel pin M4 X 14	5000053
Dowel pin M5 X 16	5000331
Dowel pin M6 X 12mm	5000217
FHCS M2 X 12	5000207
FHCS M2.5 X 12	5000206
FHCS M2.5 X 6	5000202
FHCS M3 X 10	5000203
FHCS M4 X 0.7 X 12mm	5000177
FHCS M5 X .8 X 16	5000467

Description	Fastener number
FHCS M5 X 0.8 X 10	5000084
FHCS M6 X 1.0 X 20.0	5000036
FHCS M6 X 10	5000204
FHCS M6 X 16 stainless steel	5000090
FHCS M6 X 30	5000265
Flat washer M3	5000181
Flat washer M4	5000155
Helicoil M4 X 0.7 X 8mm	5000047
Helicoil M4 X 12mm	5000205
Helicoil M4 X 6mm	5000200
Helicoil M5 X 10mm	5000213
Helicoil M6 X 1 X 6	5000049
Helicoil M6 X 1.0 X 6mm	5000087
Helicoil M6 X 1.0 X 9	5000088
Helicoil M6 X 12mm	5000175
Helicoil M8 X 1.25 X 8	5000348
Hex nut M2	5000216
Hex nut with nylon locking insert M14	5000219
HH BOLT M8 X 1.25 X 10	5000569
Locknut M6 HEX	5000143
Locknut, nylon insert, M12 X 1.75	5000462
LWSHCS M3 X 0.5 X 12mm	5000620
LWSHCS M6 X 1.0 X 12mm	5000194
Retaining ring 12mm Steel	5000249
Retaining ring 16mm Steel	5000250
Retaining ring 18mm Steel	5000251
Roll pin M1.5 X 8mm	5000189
Roll pin M3 X 10mm	5000199
Roll pin M3 X 12mm	5000166
Roll pin M3 X 14mm	5000196
Roll pin M3 X 20mm	5000188
Roll pin M3 X 8mm	5000195
Roll pin M4 X 10mm	5000182



Description	Fastener number
Roll pin M4 X 14mm	5000197
SHCS M1.6 X 0.35 X 5	5000338
SHCS M1.6 X 6 CLASS 12.9 Alloy steel	5000343
SHCS M2 X 0.4 X 18mm	5000164
SHCS M2 X 0.4 X 6mm	5000082
SHCS M2 X 0.4 X 8mm	5000083
SHCS M2 X 10	5000215
SHCS M3 X .5 X 6	5000393
SHCS M3 X 0.5 X 12mm	5000070
SHCS M3 X 10	5000119
SHCS M3 X 14	5000252
SHCS M4 X .7 X 10	5000151
SHCS M4 X 0.7 X 8.0	5000024
SHCS M5 X 0.8 X 12mm	5000002
SHCS M5 X 0.8 X 16mm	5000020
SHCS M5 X 18	5000112
SHCS M6 X 1.0 X 16	5000081
SHCS M6 X 1.0 X 20.0	5000001
SHCS M6 X 12	5000281
SHCS M6 X 50	5000324
SHCS M8 X 18	5000209
SHCS, M3 X 0.5 X 8	5000388
SHCS, M4 X .7 X 14	5000459
SHCS, M4 X .7 X 25	5000461
SHCS, M5 X .8 X 30	5000471
SHCS, M6 X 1 X 10	5000457
SHSS M6 X 25mm	5000163
Spring washer M6	5000134
SSCP M2.5 X 5	5000340
SSCP M3 X 0.5 X 4mm	5000470
SSCP M3 X 16	5000212
SSCP M4 X 0.7 X 6mm	5000076
SSCP M6 X 1.0 X 8mm	5000622

Description	Fastener number
SSCP nylon tip M4 X .7 X 10	5000260
SSFP flat point M4 X 6	5000464
SSFT M6 X 10mm	5000226
SSHDP M6 X 1.0 X 6mm	5000165
SSHDP M6 X 1.0 X 12mm	5000185
SSNT M3 X 0.5 X 3mm	5000190
SSNT M4 X 0.7 X 4mm	5000201
SSNT M6 X 1.0 X 6mm	5000621
Threaded rod M12 X 1.5	5000048
Washer, flat M1.6 X 1.7 X 4 X .25	5000428
Washer, flat M8 (8.9 ID X 18.8 OD X 2.3 THK)	5000123